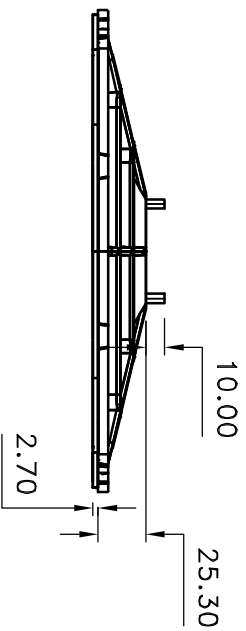
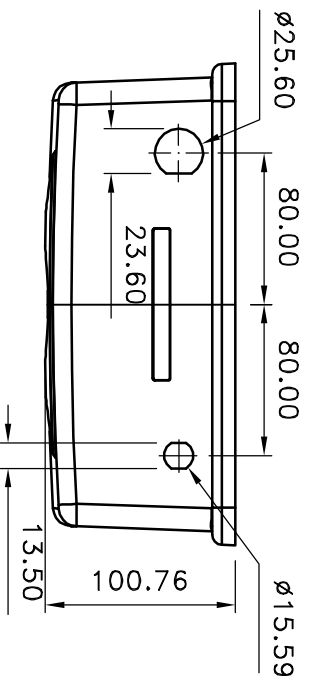
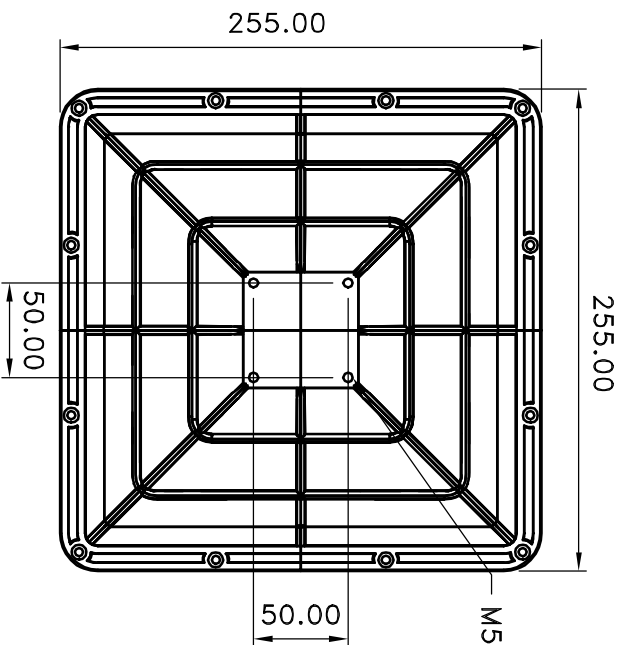
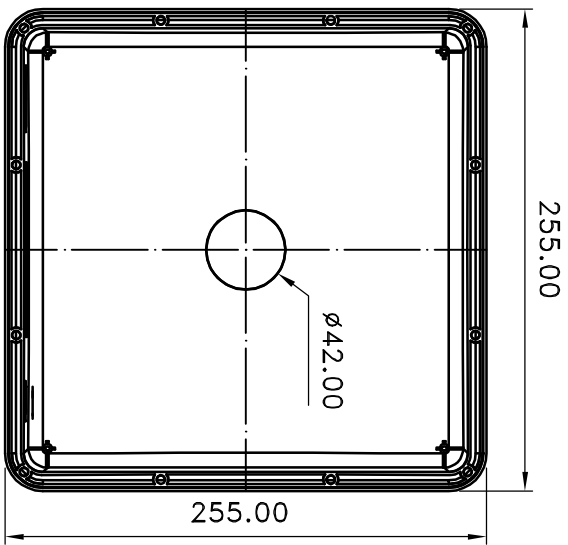


REV	DATE	DESCRIPTION	DRAWN



NO	DESCRIPTION	MATERIAL	FINISH	Q'ty
2	Y0073	ABS	GRAY	1
1	Y0072	ABS	WHITE	1

NOTE

1. STRIP ALL BURRS.
2. ALL DIMENSIONS ARE AFTER FLATTING.
3. DIAMETERS ON COMMON CENTERS TO BE CONCENTRIC WITHIN 0.1 T.I.R.
4. CHAMFER 1ST & LAST HEADS 15°.
5. BREAK ALL CORNERS & EDGES CO.15 MAX.

DIMENSION

- UNLESS OTHERWISE NOTED TOLERANCES
- X =  $\pm 0.2$
- 0.X =  $\pm 0.1$
- 0.XX =  $\pm 0.05$



TITLE  
Waterproof Enclosure

DRAWING NO.  
HY-WECC01

APPROVED

DRAWN DATE  
08/12/12

CHECKED

SCALE  
1:4

DRAWN  
ALICE

UNIT  
mm