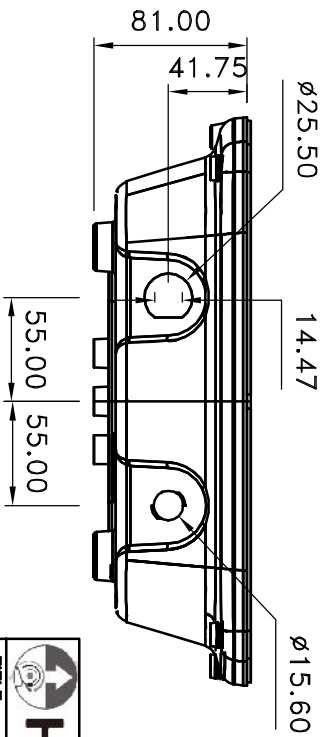
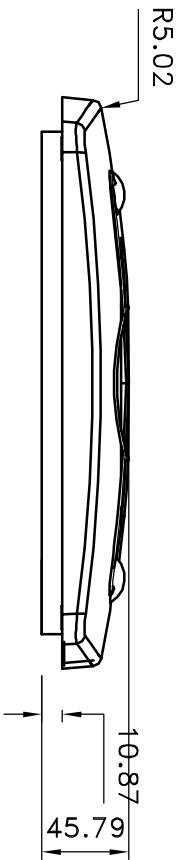
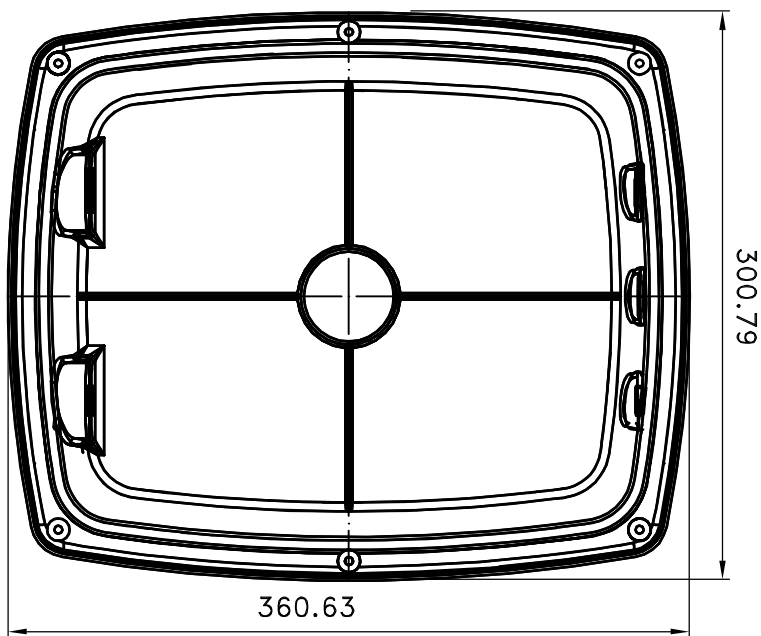
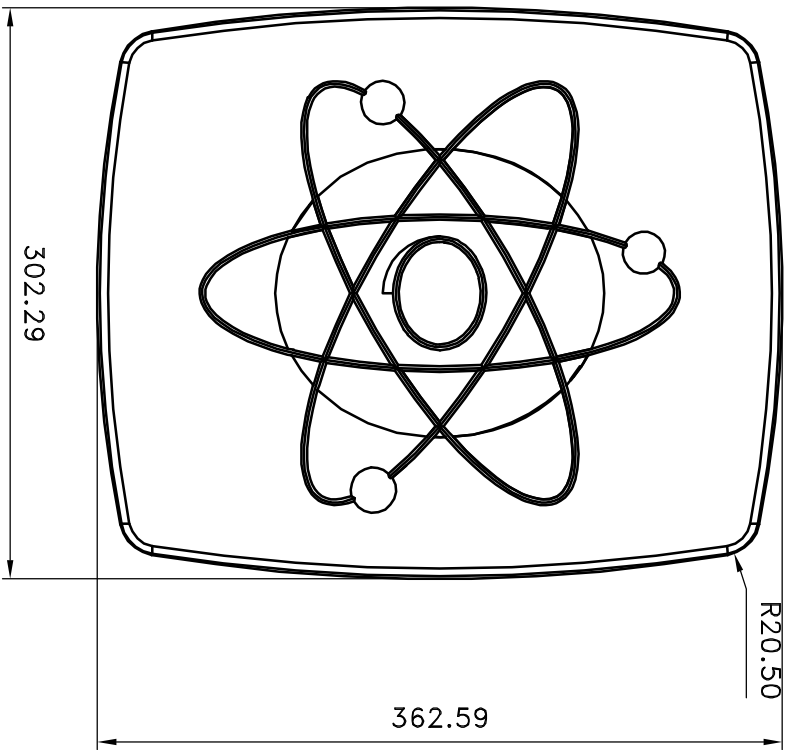



REV	DATE	DESCRIPTION	DRAWN



NO	DESCRIPTION	MATERIAL	FINISH	Q'ty
2	Y0096	ABS	GRAY	1
1	Y0095	ABS	GRAY	1

NOTE	DIMENSION
1. STRIP ALL BURRS.	UNLESS OTHERWISE
2. ALL DIMENSIONS ARE	NOTED TOLERANCES
3. DIMENSIONS ON COMMON	X = ±0.2
4. CHAMFER 1ST & LAST	0.X = ±0.1
5. BREAK ALL CORNERS &	0.XX = ±0.05
EDGES CO.15 MAX.	


Hwayou International Co., Ltd.
Waterproof Enclosure
 TITLE
 DRAWING NO. HY-WEC02
 APPROVED
 CHECKED
 DRAWN ALICE
 DRAWN DATE 08/12/12
 SCALE 1:4
 UNIT mm